

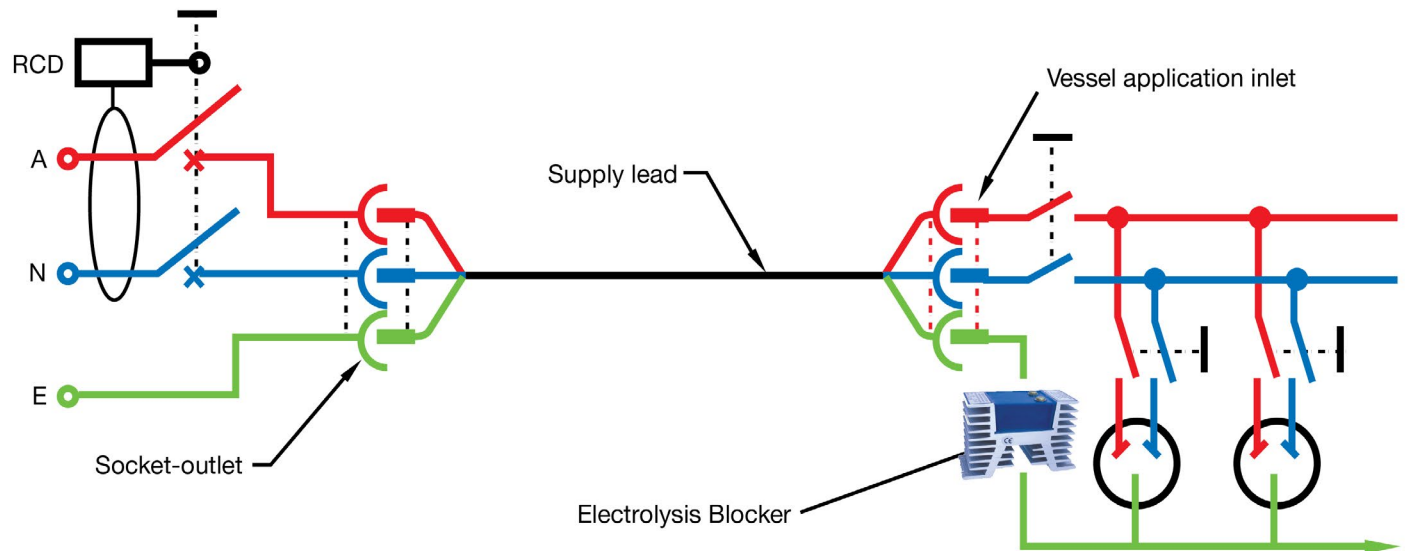
# Have you been Informed?

“The marina operator should provide each pleasure-boat operator intending to connect a boat to the marina low-voltage electrical supply with a copy of an instruction notice containing the following wording, as a minimum:

‘This marina provides power for use on your recreational boat via a connection to the marina low-voltage electrical supply which is connected to a copper-based marina electrical protective earthing system.

An isolating transformer... may reduce corrosion activity caused by the coupling of your recreational boat’s earth to the marina electrical protective earthing system and/or other recreational boats... galvanic isolators complying with AS/NZS 3004.2 Clause 4.6.4 may be used to reduce these effects’”.\*

\*AS/NZS 3004.2:2008 Appendix B Shore Side Arrangements



This material remains the exclusive property of Marine Protection Systems Pty Ltd and must not be reproduced, replicated, copied or used without the expressed consent of Marine Protection Systems Pty Ltd © 2011

[f @marineprotectionsystems](#)   [@marineprotectionsystems](#)   [info@marineprosystems.com](mailto:info@marineprosystems.com)

CORROSION CONTROL THAT WORKS