

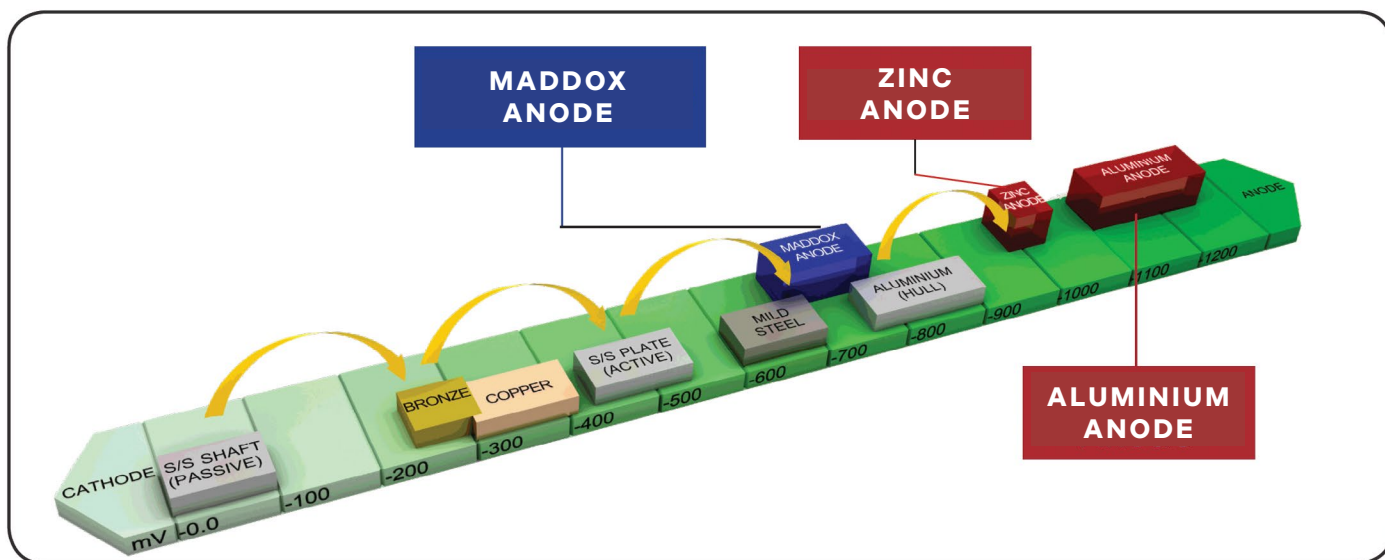
Recommended Ranges for Cathodic Protection

The selection of sacrificial anodes for a vessel is dependent on the surface areas and type of metals to be protected with reference to their electronegative potentials. The Galvanic Series of Metals can be used to determine the tendency of a galvanic reaction and subsequent galvanic corrosion.

American Boat and Yacht Council (ABYC) E-2 Cathodic Protection notes:

- The sacrificial anode used in a cathodic protection system should be capable of inducing and maintaining a minimum 200mV differential relative to the most negative metal being protected
- There is a decrease in the effectiveness of antifoul with higher negative voltages

HULL MATERIAL*	vM RANGE*
Fibreglass	-550 to -900
Wood	-550 to -600
Aluminium	-900 to -1100
Steel	-800 to -1050
Non-Metallic W/ Aluminium Drives	-900 to -1050



This material remains the exclusive property of Marine Protection Systems Pty Ltd and must not be reproduced, replicated, copied or used without the expressed consent of Marine Protection Systems Pty Ltd © 2011

[f @marineprotectionsystems](https://www.facebook.com/marineprotectionsystems)
[@marineprotectionsystems](https://www.instagram.com/marineprotectionsystems)
info@marineprosystems.com

CORROSION CONTROL THAT WORKS